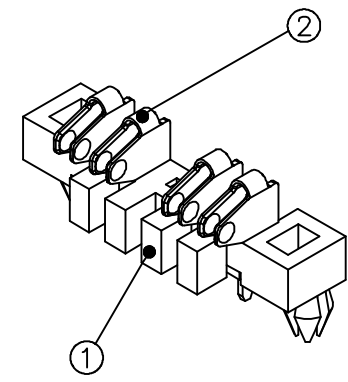
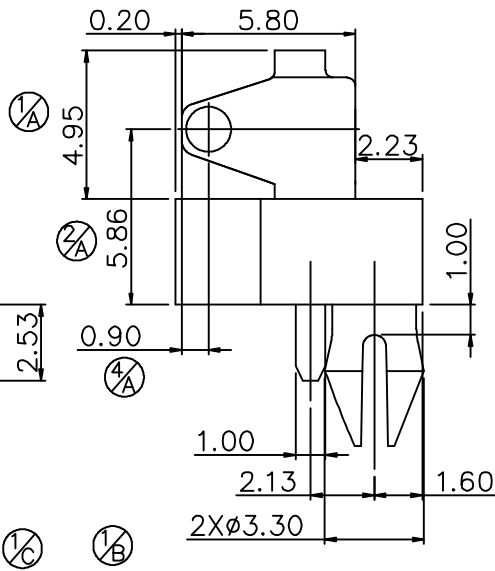
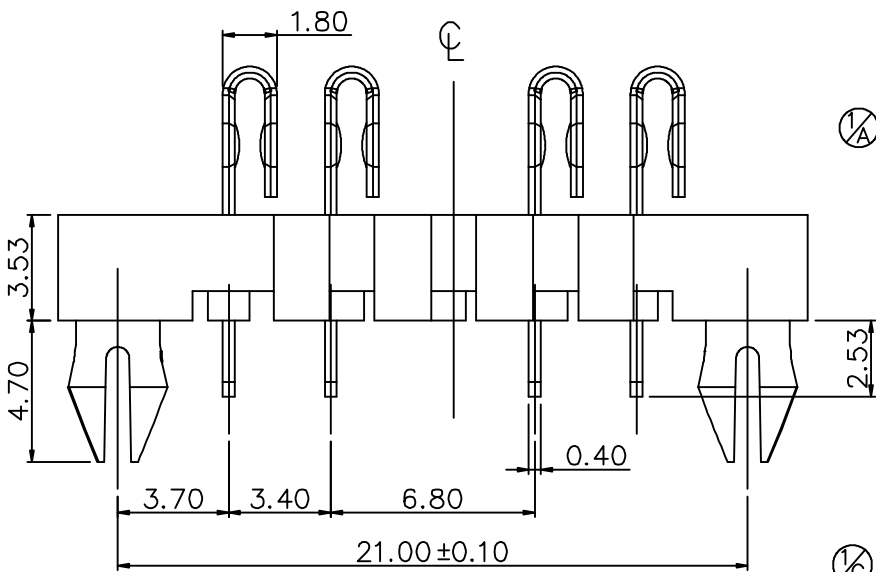
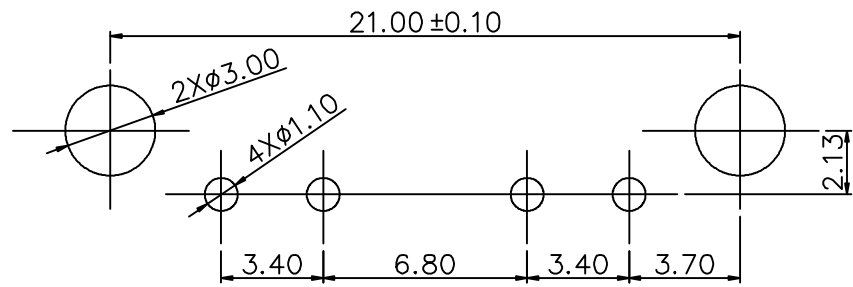
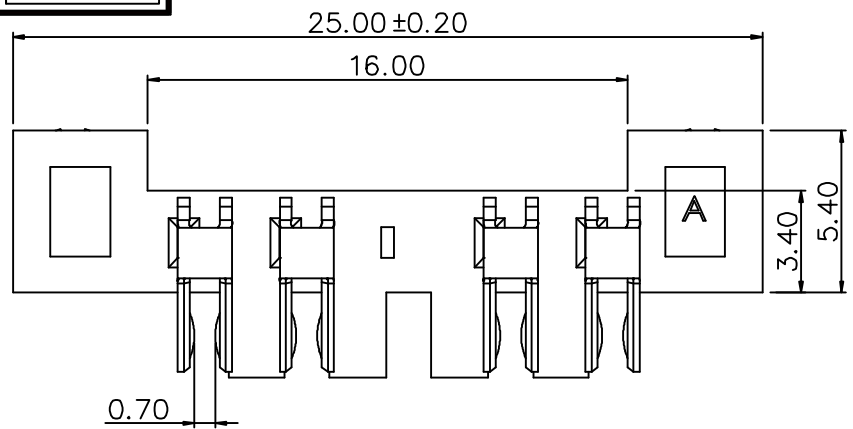




RECOMMENDED P.C.B LAYOUT (Component Side)

P.C.B Thickness=1.55mm(Tolerance=±0.05)



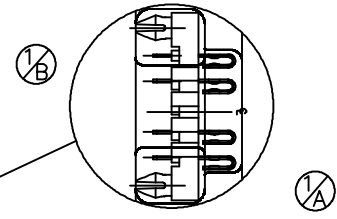
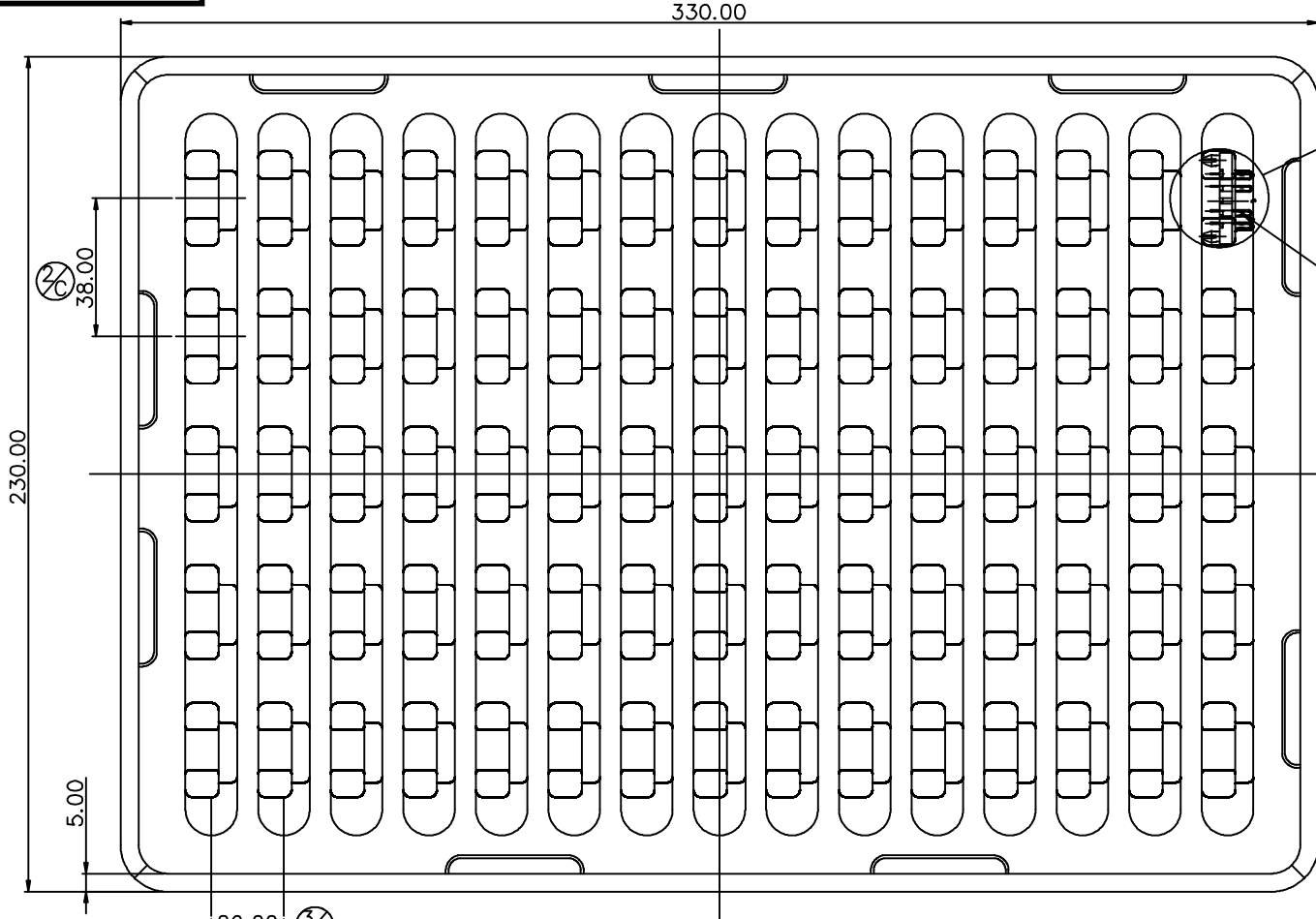
3				
2	TERMINAL	Pho.Bronze		GOLD PLATED
1	HOUSING	High Temp. Plastic	BLACK	UL94V-0
NO.	DESCRIPTION	MATERIAL	COLOR	REMARK



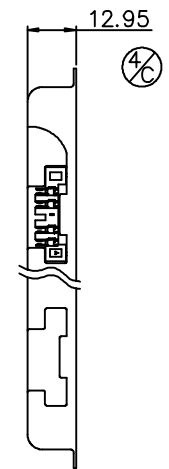
CUSTOMER COPY TITLE: 3.4mm Pitch Battery. R/A Female Type For

PART NO.	060017FS004S501ZA (3/A)
PRODUCT SPEC.	060017FS
FILE NAME.	D ING 060017FS004S501ZA-C
SCALE	4:1
UNIT:mm	A4
SHEET:	1 of 2

EC1B-060915-16	C	06'/09/15	C1: 變更包材圖與實物相符.	張留輝	李忠信	Angle	±2°	DRAW	張留輝	06'/09/15
EC1B-060905-06	B	06'/09/05	B1: 修改圖面與實物相符.	張留輝	葉銘良	30 ~	±0.50	DESIGN	張留輝	06'/09/15
EC1B-060331-07	A	06'/03/31	060017FS004S500ZA->060017FS004S501ZA, A4: 0.75->0.90;	張留輝	葉銘良	10 ~ 30	±0.30	CHECK	張海坪	06'/09/15
ECN(DCN) NO.	REV	DATE	DESCRIPTION	CHANGE	APPRO.	~ 10	±0.15	APPRO.	李忠信	06'/09/15
						GENERAL TOLERANCE UNLESS OTHERWISE NOTED				



DetailL(1:1)



Package.

Part Number	Q'ty per tray
060017FS004S501ZA	75 pcs

- NOTE: All dimensions tolerance are:
1. Thickness: 0.60 ±0.10mm.
 2. ±0.25mm unless otherwise noted.
 3. 上下兩層tray 盤應同向疊放
 4. 一外箱內裝10盤

3				
2	PRODUCT		060017FS004S501ZA	
1	TRAY	PVC	PB0458	
NO.	DESCRIPTION	MATERIAL	COLOR	REMARK



CUSTOMER COPY TITLE: 3.4mm Pitch Battery. R/A Female Type For

PART NO.	060017FS004S501ZA
PRODUCT SPEC.	060017FS
FILE NAME.	D 060017FS004S501ZA-C
SCALE	1:4
UNIT:mm	A4
SHEET: 2 of 2	

ECN(DCN) NO.	REV	DATE	DESCRIPTION	CHANGE	APPRO.	GENERAL TOLERANCE UNLESS OTHERWISE NOTED	Angle	±2'	DRAW	張留輝	06'/09/15
EC1B-060915-16	C	06'/09/15	修改圖面與實物相符 C1: 包裝盤裝4 PCS->75 PCS. C2: 32.00->38.00. C3: 22.00->20.00. C4: 12.50->12.95.	張留輝	李忠信	30 ~ ±0.50		DESIGN	張留輝	06'/09/15	
EC1B-060905-06	B	06'/09/05	B1: 修改圖面與實物相符.	張留輝	葉銘良	10 ~ 30 ±0.30		CHECK	張海坪	06'/09/15	
EC1B-060331-07	A	06'/03/31	修改圖面與實物相符 A1: 4.45->4.95; A2: 8.85->9.35; A3: 8.85->9.35; 060017FS004S500ZA->060017FS004S501ZA.A4: 0.75->0.90;	張留輝	葉銘良	~ 10 ±0.15		APPRO.	李忠信	06'/09/15	