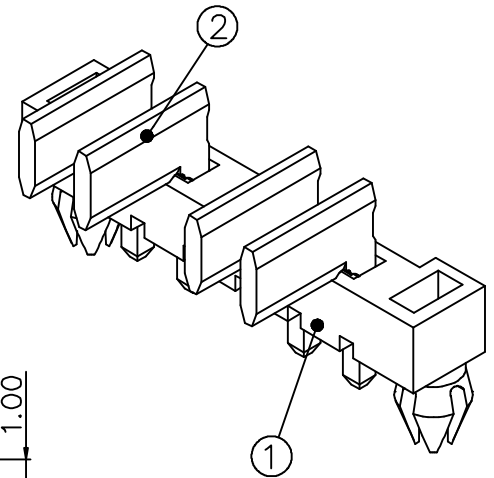
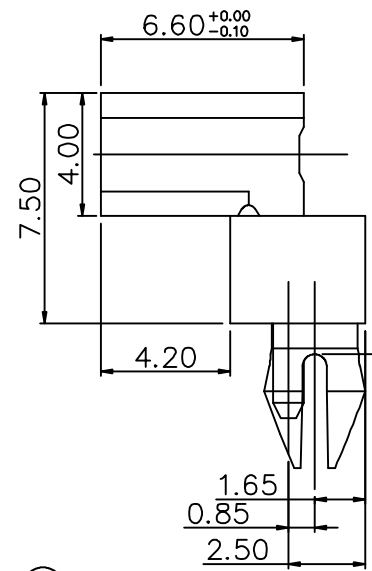
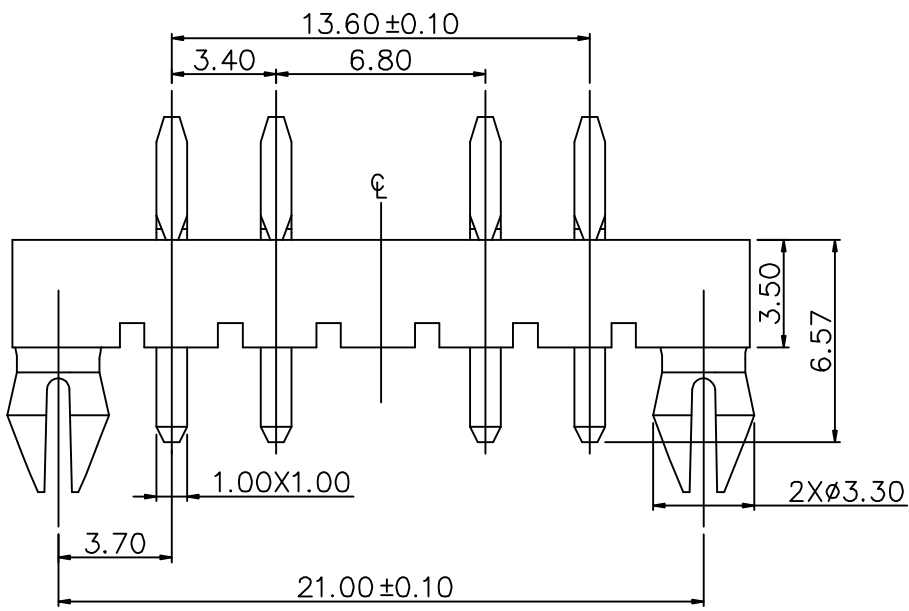
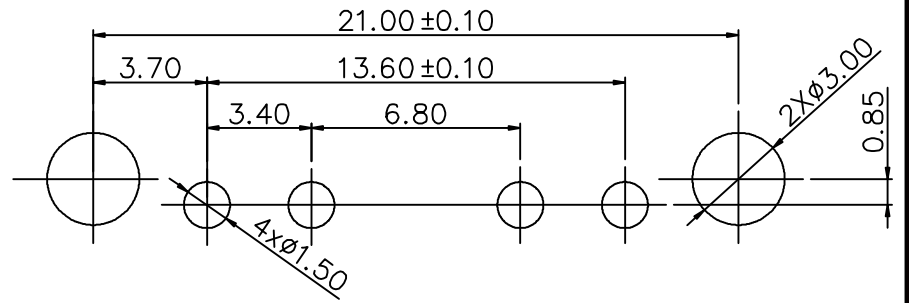
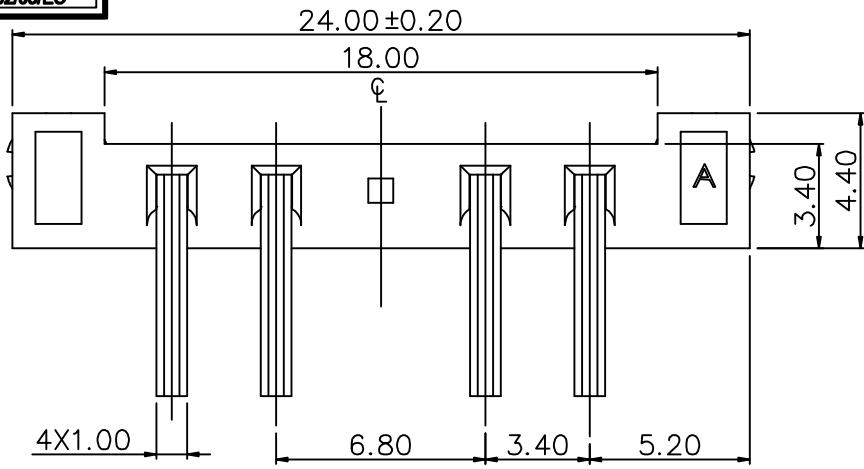




RECOMMENDED P.C.B LAYOUT (Component Side)
P.C.B Thickness=1.55mm(Tolerance=±0.05)



NO.	DESCRIPTION	MATERIAL	COLOR	REMARK
3				
2	TERMINAL	Copper Alloy		GOLD PLATED
1	HOUSING	High Temp. Plastic	BLACK	UL94V-0

SUYIN
CONNECTORS

CUSTOMER COPY	TITLE: 3.4mm Pitch Battery, R/A Male Type
PART NO.	060018MS004S500ZA
PRODUCT SPEC.	060018MS
FILE NAME.	DING 060018MS004S500ZA-C
SCALE	4:1 UNIT:mm A4 SHEET: 1 of 2

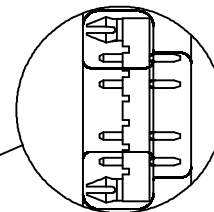
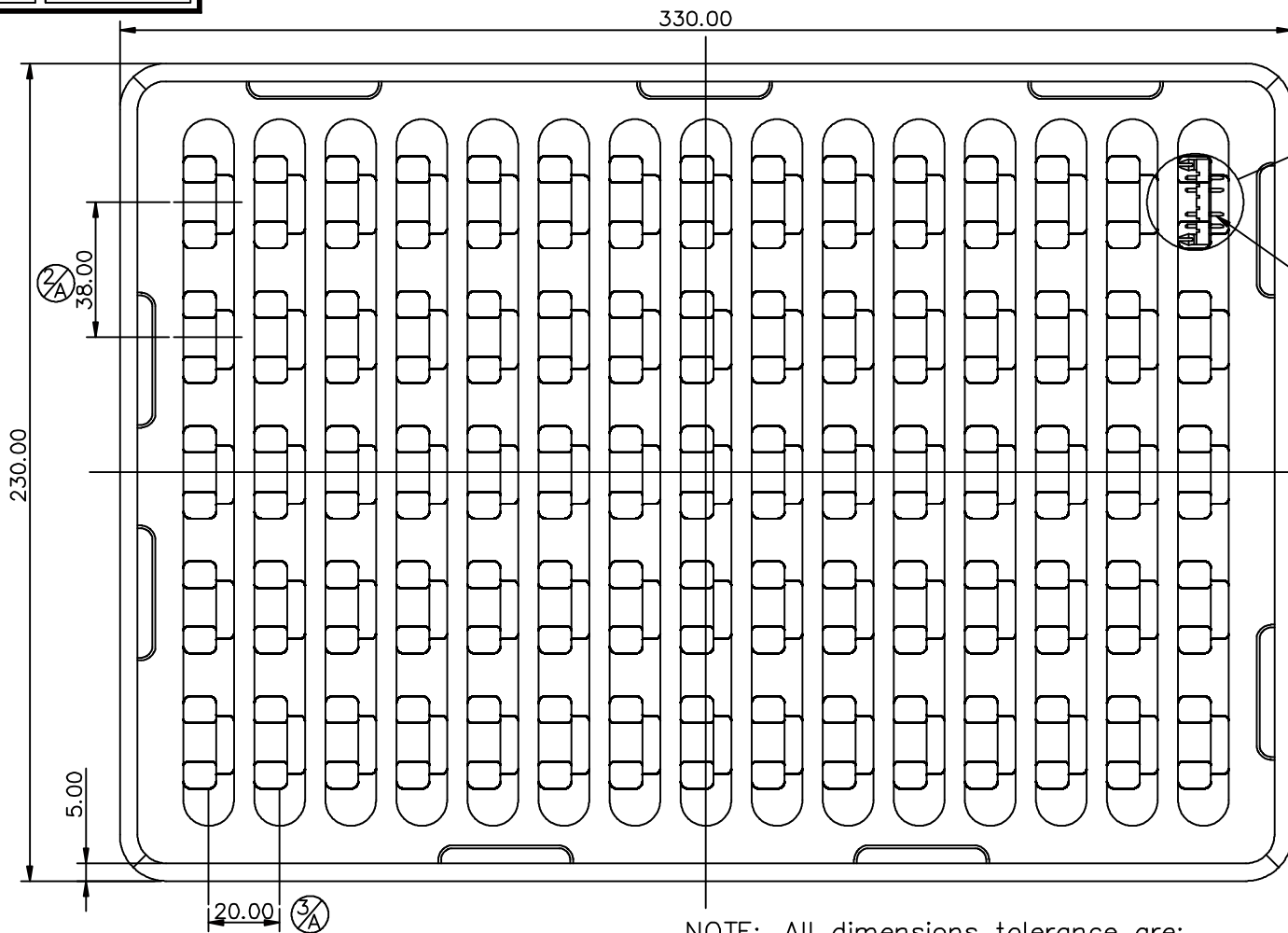
ECN(DCN) NO.	REV	DATE	DESCRIPTION	CHANGE	APPRO.	GENERAL TOLERANCE UNLESS OTHERWISE NOTED	APPRO.
EC1B-060915-16	A	06'/09/15	A1: 變更圖框及合並業務圖及包裝示意圖	張留輝	李忠信	Angle ±2° 30 ~ ±0.50	DRAW 張留輝 06'/09/15
	0	05'/10/24	NEW	張留輝	葉銘良	10 ~ 30 ±0.30	DESIGN 張留輝 06'/09/15
						~ 10 ±0.15	CHECK 張海坪 06'/09/15
							APPRO. 李忠信 06'/09/15

Original: 張留輝 Draw: Design: 張留輝 Check: 鄧高云 Appro: 葉銘良 發行日期 05'/10/24

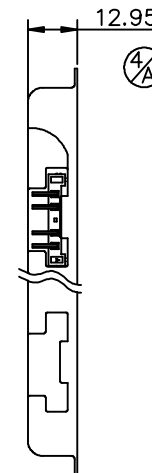
041007-BY053



RoHS Compliant
2002/95/EC



Detail(1:1)



Package.

Part Number	Q'ty per tray
060018MS004S500ZA	75 pcs

NOTE: All dimensions tolerance are:

1. Thickness: 0.60±0.10mm.
2. ±0.25mm unless otherwise noted.
3. 上下兩層tray盤應同向疊放
4. 一外箱內裝10盤

3				
2	PRODUCT			060018MS004S500ZA
1	TRAY	PVC		PB0458
NO.	DESCRIPTION	MATERIAL	COLOR	REMARK

SUYIN
CONNECTOR

CUSTOMER COPY	TITLE: 3.4mm Pitch Battery. R/A Male Type			
PART NO.	060018MS004S500ZA			
PRODUCT SPEC.	060018MS			
FILE NAME.	DWG	060018MS004S500ZA-C		
SCALE	1:2	UNIT:mm	A4	SHEET: 2 of 2

ECN(DCN) NO.	REV	DATE	DESCRIPTION	CHANGE	APPRO.	GENERAL TOLERANCE UNLESS OTHERWISE NOTED	Angle	±2°	DRAW	張留輝	06'/09/15
EC1B-060915-16	A	06'/09/15	修改規格書 A1: 增加84 PCS->75 PCS. A2: 32.00->38.00. A3: 22.00->20.00. A4: 12.50->12.95.	張留輝	李忠信	10 ~ 30 ±0.30	30 ~	±0.50	DESIGN	張留輝	06'/09/15
	0	05'/10/24	NEW	張留輝	葉銘良	~ 10 ±0.15			CHECK	張海坪	06'/09/15
									APPRO.	李忠信	06'/09/15

Original: 張留輝 Draw: Design: 張留輝 Check: 鄧高云 Appo: 葉銘良 發行日期 05'/10/24

041007-BY053