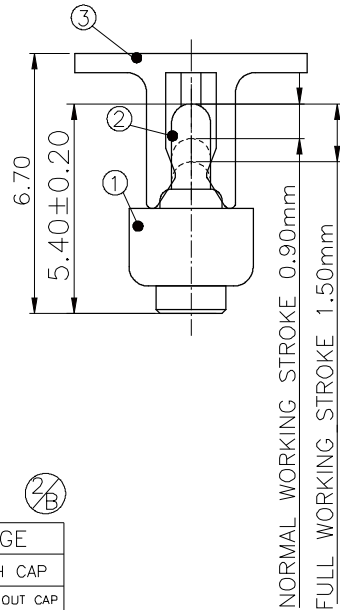
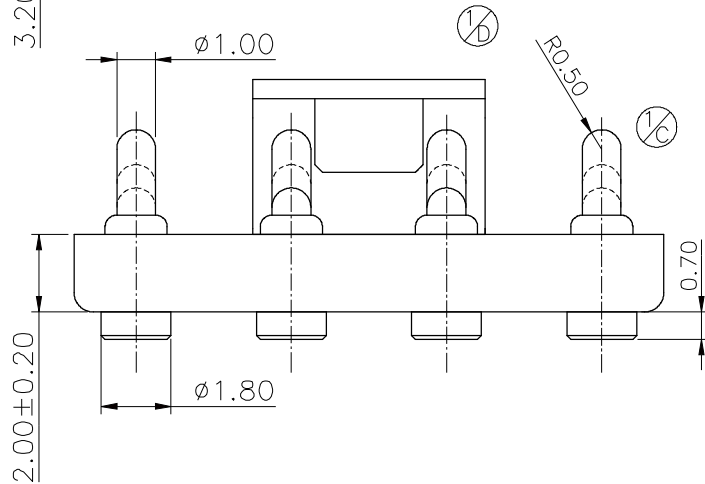
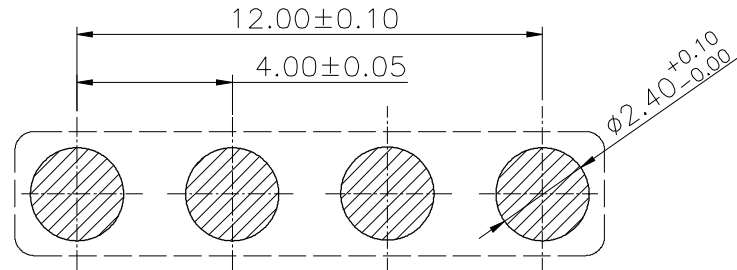
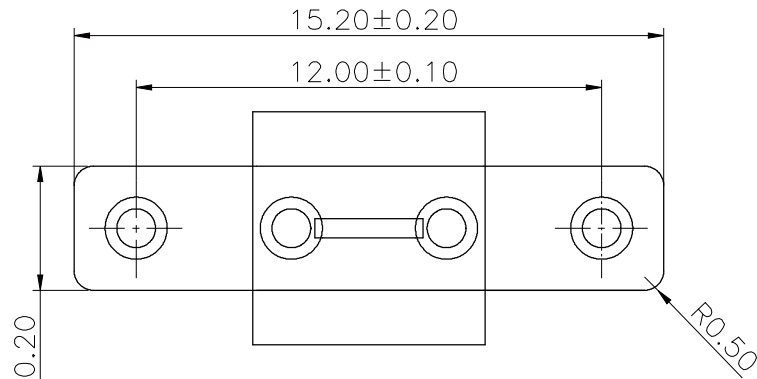




RoHS Compliant
2002/95/EC

RECOMMENDED P.C.B LAYOUT (COMPONENT SIDE)



NOTE(1): 060125MA004G□ 00ZX
1

1. PLATING

- 'G1,-05u" GOLD OVER NICKEL.
- 'G3,-10u" GOLD OVER NICKEL.
- 'G4,-15u" GOLD OVER NICKEL.
- 'G5,-30u" GOLD OVER NICKEL.

NOTE(2): STROKE 0.90 mm(160±30g)
FULL STROKE 1.50mm

SERIES INFORMATION

SUYIN P/NO.	PACKAGE
060125MA004GX00ZR	REEL WITH CAP
060125MA004GX00ZO	PACKAGE WITH OUT CAP

NO.	DESCRIPTION	MATERIAL	COLOR	REMARK
3	CAP	HIGH TEMP PLASTIC	BLACK	UL 94V-0
2	TERMINAL	COPPER ALLOY	—	GOLD/TIN PLATED
1	PLASTIC	HIGH TEMP PLASTIC	BLACK	UL 94V-0

SUYIN
CONNECTOR

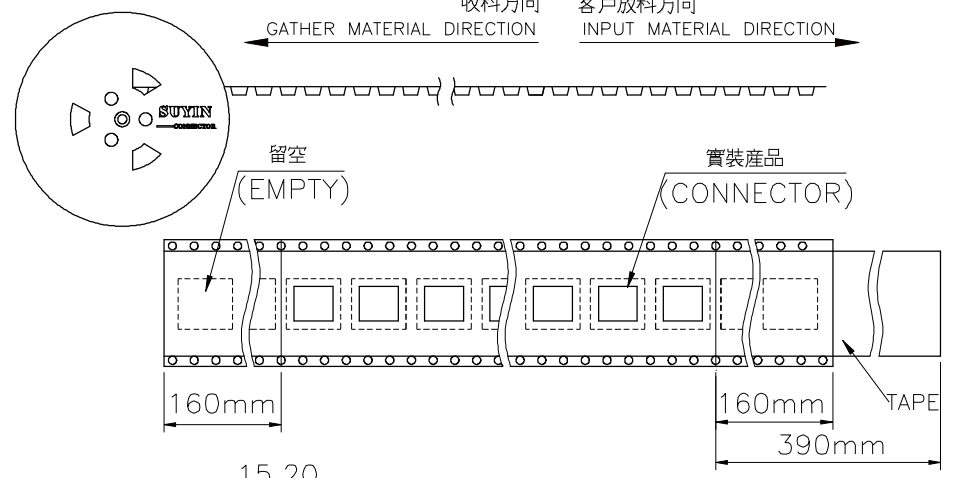
CUSTOMER COPY	TITLE: 4.00mm PROBE PIN			
PART NO.		060125MA004GX00ZX		
PRODUCT SPEC.		060125MA SERIES		
FILE NAME.	Drawing	060125MA004GX00ZX-C		
SCALE	5:1	UNIT:mm	A4	SHEET: 1 of 3

ECN(DCN) NO.	REV	DATE	DESCRIPTION	CHANGE	APPRO.	GENERAL TOLERANCE UNLESS OTHERWISE NOTED
EC1B-071205-06	D	07'/12/05	D1:修改圖面與實物相符.	童彥淇	蔡志鴻	Angle 30 ~ ±0.50
EC1B-061028-04	C	06'/10/28	C1:R角0.20->0.50,	鄒晶川	江文業	±2'
EC1T-041216-09	B	04'/12/16	B1:3.90±0.20->3.90Max B2:增加系列表	黃飛	林怡豪	10 ~ 30 ±0.30
						~ 10 ±0.15

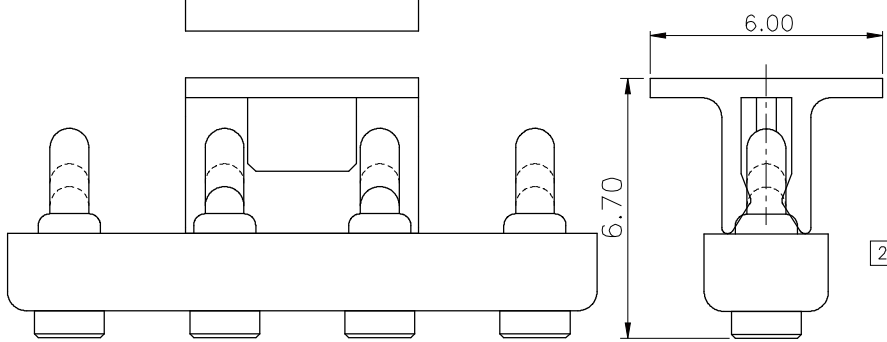
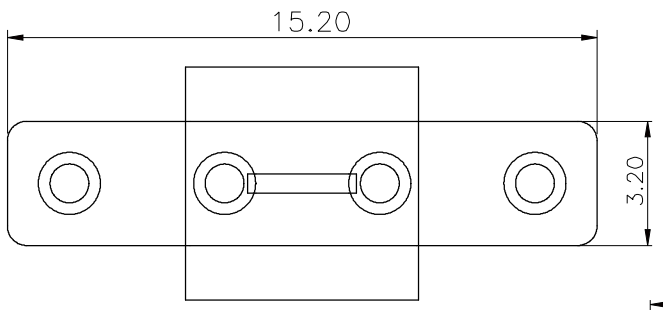
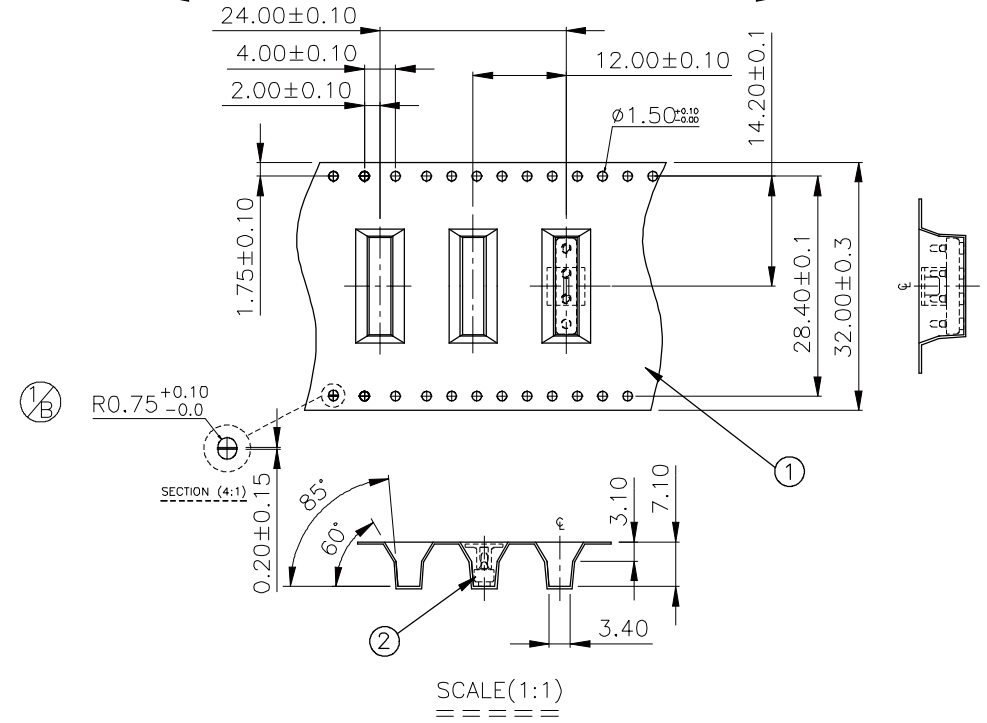
DRAW	童彥淇	07'/12/05
DESIGN	童彥淇	07'/12/05
CHECK	鄧高云	07'/12/05
APPRO.	蔡志鴻	07'/12/05



收料方向 GATHER MATERIAL DIRECTION
 客戶放料方向 INPUT MATERIAL DIRECTION



收料方向 GATHER MATERIAL DIRECTION
 客戶放料方向 INPUT MATERIAL DIRECTION



1 PACKAGE INFORMATION

PART NUMBER	Q'TY PER REEL
060125MA004GX00ZR	800pcs

2 NOTES: ALL DIMENSIONS TOLERANCE ARE:
 1. ±0.25mm UNLESS OTHERWISE NOTED.
 2. COMPONENT LOAD BY 13" REEL.

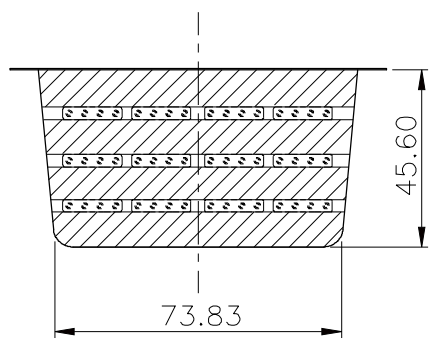
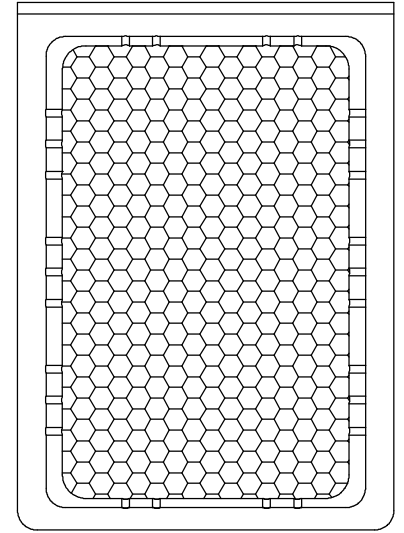
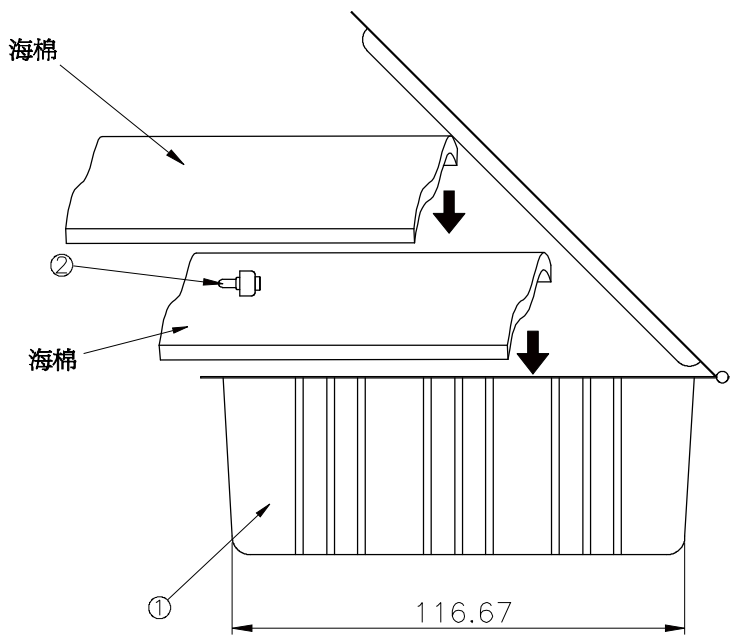
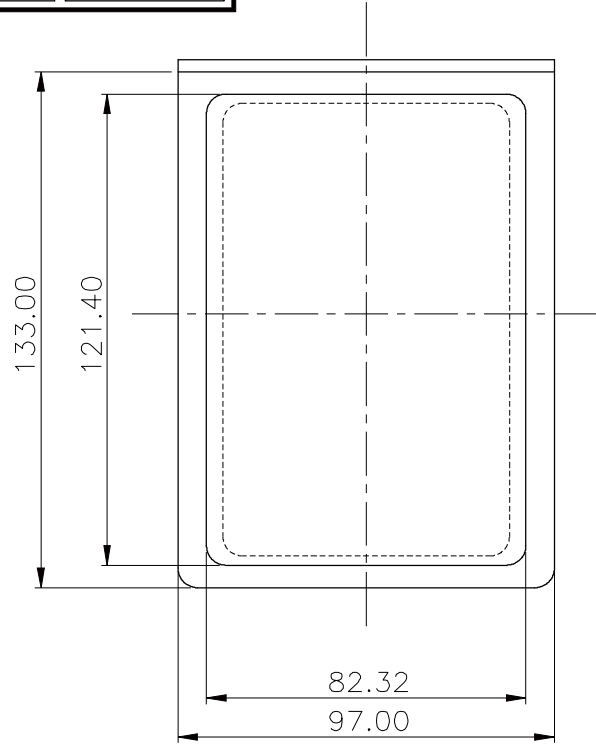
3				
2	PRODUCT			060125MA004GX00ZR
1	REEL	PS	BLACK	IPR0179-004-00
	NO. DESCRIPTION	MATERIAL	COLOR	REMARK

SUYIN
CONNECTOR

CUSTOMER COPY	TITLE: 4.00mm PROBE PIN			
PART NO.	060125MA004GX00ZR			
PRODUCT SPEC.	060125MA SERIES			
FILE NAME.	D	060125MA004GX00ZX-C		
SCALE	5:1	UNIT:mm	A4	SHEET: 2 of 3

EC1B-071205-06	D	07'/12/05	D1:修改圖面與實物相符.	童彥淇	蔡志鴻	Angle	±2'
EC1B-061028-04	C	06'/10/28	C1:R角0.20->0.50,	鄒晶川	江文業	30 ~	±0.50
EC1T-041216-09	B	04'/12/16	B1:3.90±0.20->3.90Max B2:增加系列表	黃飛	林怡豪	10 ~ 30	±0.30
ECN(DCN) NO.	REV	DATE	DESCRIPTION	CHANGE	APPRO.	~ 10	±0.15
			GENERAL TOLERANCE UNLESS OTHERWISE NOTED				

DRAW	童彥淇	07'/12/05
DESIGN	童彥淇	07'/12/05
CHECK	鄧高云	07'/12/05
APPRO.	蔡志鴻	07'/12/05



PACKAGE INFORMATION

PART NUMBER	Q'TY PER TUBE
060125MA004GX00Z0	100 PCS

3				
2	PRODUCT			060125MA004GX00Z0
1	PACKAGE	PVC	TRANS	CB0002
NO.	DESCRIPTION	MATERIAL	COLOR	REMARK

SUYIN
CONNECTOR

CUSTOMER COPY	TITLE: 4.00mm PROBE PIN			
PART NO.		060125MA004GX00Z0		
PRODUCT SPEC.		060125MA SERIES		
FILE NAME.	DWG	060125MA004GX00ZX-C		
SCALE	1:2	UNIT:mm	A4	SHEET: 3 of 3

ECN(DCN) NO.	REV	DATE	DESCRIPTION	CHANGE	APPRO.	GENERAL TOLERANCE UNLESS OTHERWISE NOTED
EC1B-071205-06	D	07'/12/05	D1:修改圖面與實物相符.	童彥淇	蔡志鴻	Angle ±2° 30 ~ ±0.50
EC1B-061028-04	C	06'/10/28	C1:R角0.20->0.50,	鄒晶川	江文業	10 ~ 30 ±0.30
EC1T-041216-09	B	04'/12/16	B1:3.90±0.20->3.90Max B2:增加系列表	黃飛	林怡豪	~ 10 ±0.15

DRAW	童彥淇	07'/12/05
DESIGN	童彥淇	07'/12/05
CHECK	鄧高云	07'/12/05
APPRO.	蔡志鴻	07'/12/05