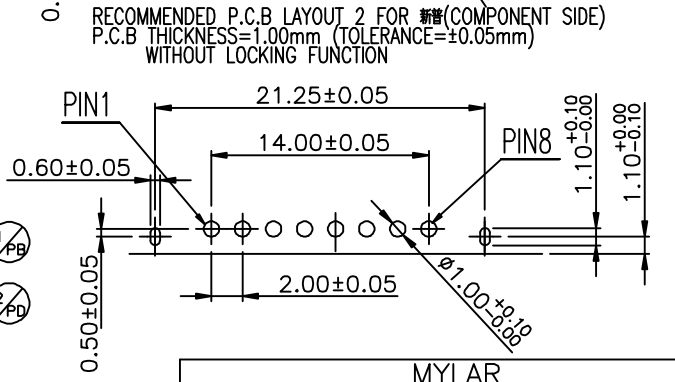
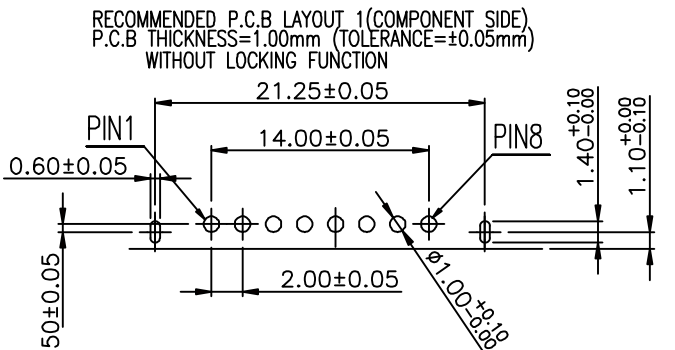
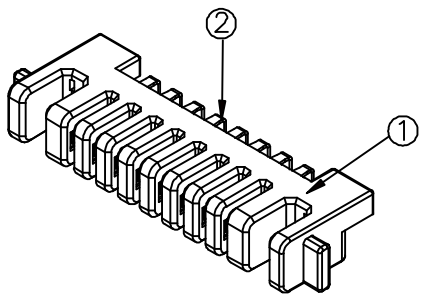
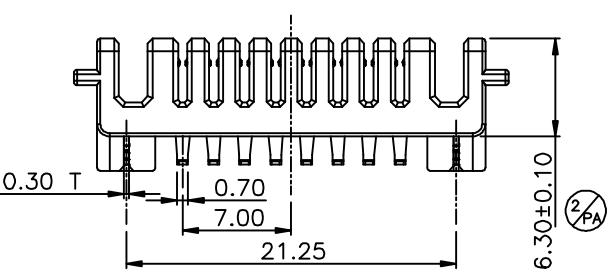
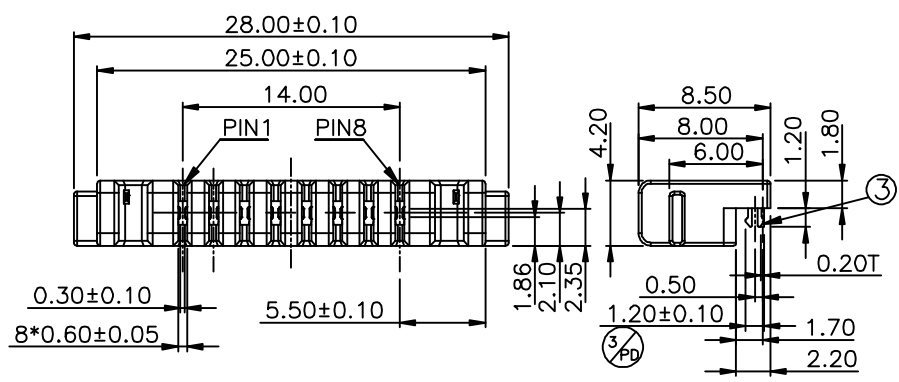
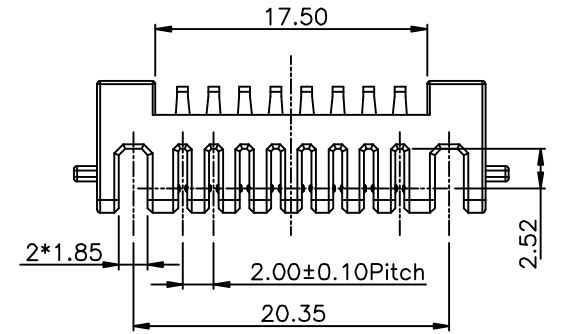


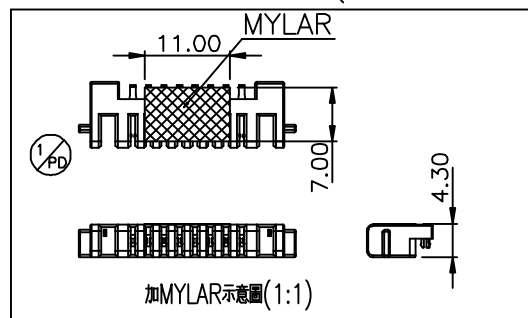


Level-1 Controlled Substances are banned



NOTE :
200040HR008XX05ZX
1 2 3

- 1.H:FEMALE HALOGEN FREE
- 2.SELECTIVE PLATING
B6:3u"MIN GOLD OVER 30u"MIN 80/20 Pd /Ni ON CONTACT AREA.
AND 100u" MATT TIN OVER SOLDER TAIL.
50u"MIN NICKEL UNDER PLATING OVERALL.
- BR:5u"MIN GOLD OVER 30u"MIN 80/20 Pd /Ni ON CONTACT AREA.
AND 100u" MATT TIN OVER SOLDER TAIL.
50u"MIN NICKEL UNDER PLATING OVERALL.
- 3.PACKAGE R-WITH MYLAR
L-WITHOUT MYLAR
- 4.MECHANICAL CHARACTERISTICS:
CONTACT NORMAL FORCE: 0.05Kgf minimum PER CONTACT.
INSERTION FORCE: 0.30~0.80Kgf full set.
WITHDRAWAL FORCE: 0.30~0.80Kgf full set.
INSERTION/WITHDRAWAL CYCLES: 5000 CYCLES.
TERMINAL RETENTION FORCE:0.30kgf OR MORE PER PIN
- 5.ELECTRICAL CHARACTERISTICS:
5-1. RATING: DC 30V/7A(PER PIN)
5-2. CONTACT RESISTANCE: 30mΩ(INITIAL)
5-3. DIELECTRIC WITHSTANDING VOLTAGE: 500 VOLTS DC FOR 1 MINUTE.
5-4. INSULATION RESISTANCE: 1000 MEGA OHMS MINIMUM INITIAL.



4				
3	FORK	COPPER ALLOY		TIN PLATED
2	TERMINAL	COPPER ALLOY		GOLD PLATED
1	HOUSING	HIGH TEMP.PLASTIC	BLACK	UL 94V-0
NO.	DESCRIPTION	MATERIAL	COLOR	REMARK

實盈 SUYIN CONDUCTOR

CUSTOMER COPY	TITLE: 2.00mm PITCH BATTERY CONN.			
PART NO.	200040HR008XX05ZX			
PRODUCT SPEC.	200040HR008XX05ZX			
FILE NAME.	C	200040HR008XX05ZX-C		
SCALE	2:1	UNIT:mm	A4	SHEET: 1 of 4

DCBS-170713-01	PD	17'/07/13	PD1:新增MYLAR PD2:新增LAYOUT 2尺寸 PD3:更改尺寸1.20->1.20±0.10	張志靈	程夢麗	General	Angle				
DCBS-170414-03	PC	17'/04/14	PC1:修改電路規格	李志高	程夢麗	X±0.25	X° ±3'	DESIGN	張志靈	17'/07/13	
DCBS-170213-02	PB	17'/02/13	PB1:新增LAYOUT 2	李志高	程夢麗	.X±0.20	.X° ±2'	CHECK	何平	17'/07/13	
DCBS-161227-03	PA	16'/12/27	PA1:新增電路規格 PA2:6.30±0.15=>6.30±0.10	李志高	程夢麗	.XX±0.15	.XX° ±1'	APPRO.	程夢麗	17'/07/13	
ECN(DCN) NO.	REV	DATE	DESCRIPTION	CHANGE	APPRO.	GENERAL TOLERANCE UNLESS OTHERWISE NOTED					

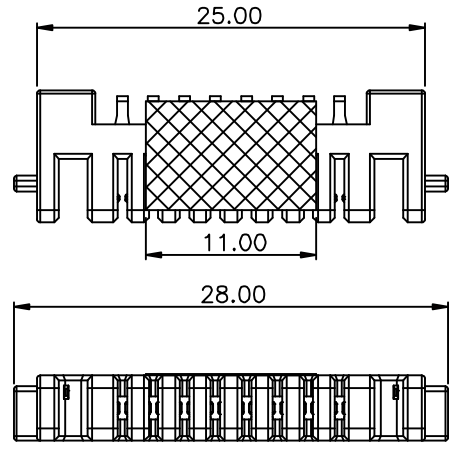
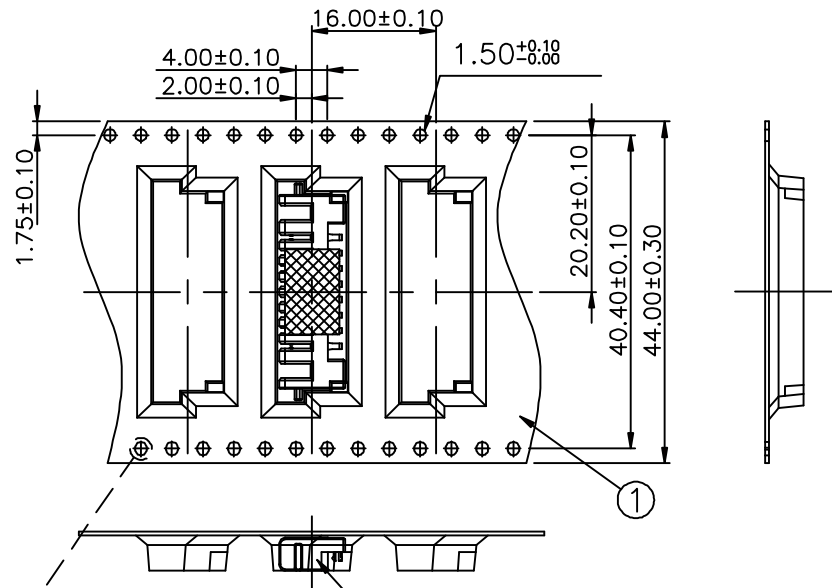
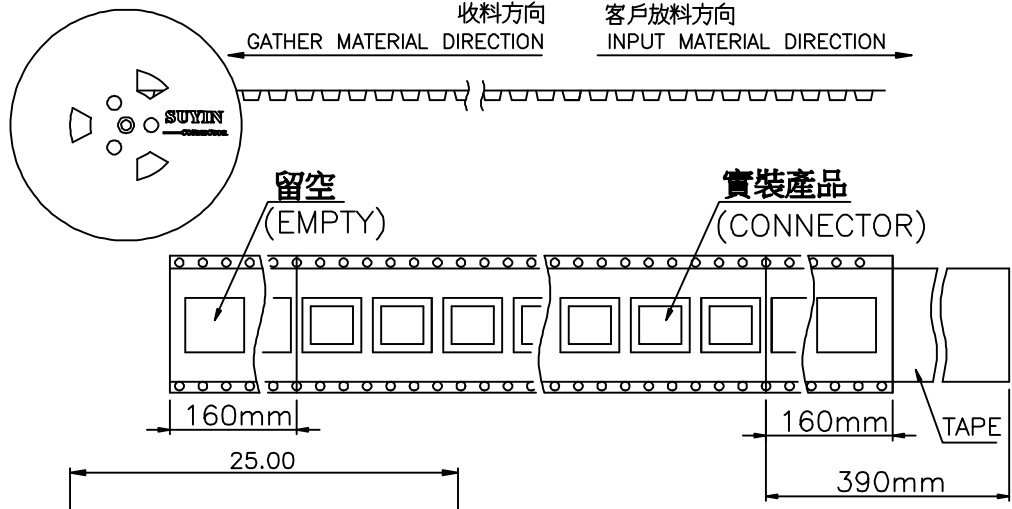
Original:Design: 李志高 Check: 何平 Appro: 程夢麗 Date: 16'/08/19

160819-BD060



Level-1 Controlled Substances are banned

收料方向 GATHER MATERIAL DIRECTION
 客戶放料方向 INPUT MATERIAL DIRECTION

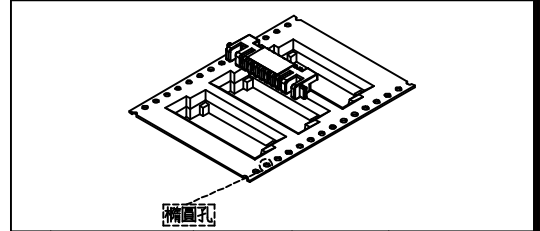


R0.75
 SCALE (2:1)
 0.20±0.05

PACKAGE INFORMATION

PART NUMBER	Q'TY PER REEL	一外箱裝包裝盤	Q'TY PER BOX
200040HR008XX05ZR	900 PCS	8 R	7200 PCS

NOTE: ALL DIMENSIONS TOLRERANCE ARE:
 1. ±0.25mm UNLESS OTHERWISE NOTED.
 2. COMPONENT LOAD BY 13" REEL.
 3. 包裝所用外箱高:OC0137.



4				
3				
2	PRODUCT			200040HR008BX05ZR
1	REEL	PS	BLACK	IPR1008-008-05
NO.	DESCRIPTION	MATERIAL	COLOR	REMARK

實盈 SUYIN CONNECTOR

CUSTOMER COPY	TITLE: 2.00mm PITCH BATTERY CONN.			
PART NO.	200040HR008XX05ZR			
PRODUCT SPEC.	200040HR008XX05ZX			
FILE NAME.	CING	200040HR008XX05ZX-C		
SCALE	1:1	UNIT:mm	A4	SHEET: 2 of 4

DCBS-170713-01	PD	17'/07/13	PD1:新增料號 PD2:新增LAYOUT 2次 PD3:更改尺寸1.20->1.20±0.10	張志靈	程夢麗	General	Angle	DESIGN	張志靈	17'/07/13
DCBS-170414-03	PC	17'/04/14	PC1:修改電路規格	李志高	程夢麗	X±0.25	X° ±3°	CHECK	何平	17'/07/13
DCBS-170213-02	PB	17'/02/13	PB1:新增LAYOUT 2	李志高	程夢麗	.X±0.20	.X° ±2°	APPRO.	程夢麗	17'/07/13
DCBS-161227-03	PA	16'/12/27	PA1:新增電路規格 PA2:6.30±0.15=>6.30±0.10	李志高	程夢麗	.XX±0.15	.XX° ±1°			
ECN(DCN) NO.	REV	DATE	DESCRIPTION	CHANGE	APPRO.	GENERAL TOLERANCE UNLESS OTHERWISE NOTED				