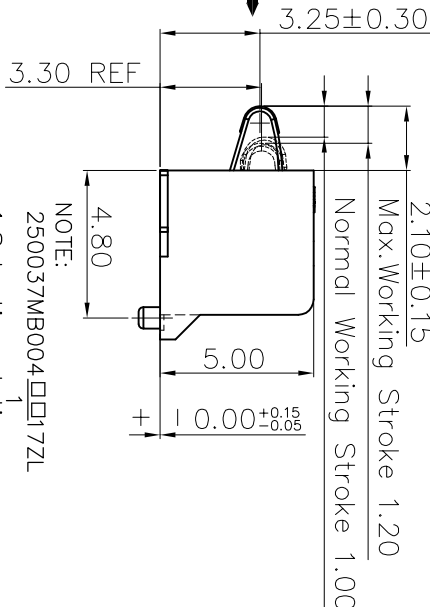
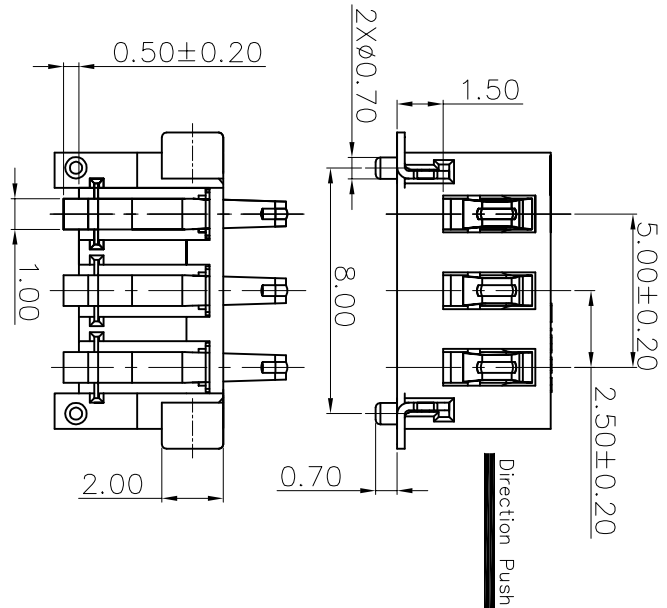
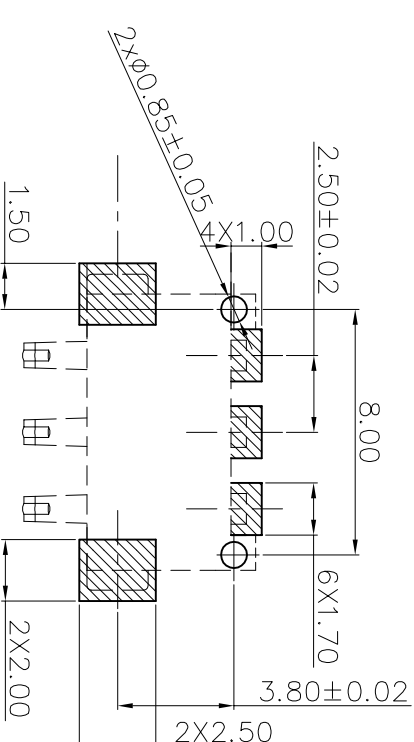
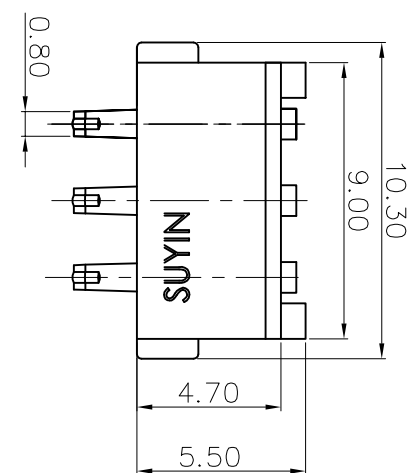
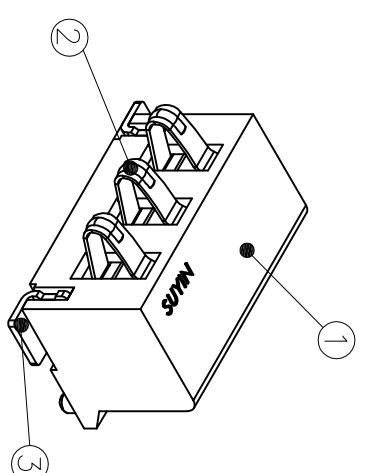


RECOMMENDED P.C.B LAYOUT (Component Side)
P.C.B Thickness=0.90mm(Tolerance=±0.05)



NOTE:
250037MB004□□17ZL

- Selective plating
 - G1-05u" Gold over Nickel.
 - G2-Gold flash over Nickel
 - G3-10u" Gold over Nickel.
 - G4-15u" Gold over Nickel.
 - G5-30u" Gold over Nickel.
 - G6-50u" Gold over Nickel.
- force:
 - 100g Min.~300g Max Per Pin



3	FORK	Copper Alloy	TIN PLATED OVER NICKEL
2	TERMINAL	Copper Alloy	SOLD PLATED OVER NICKEL
1	HOUSING	High Temp Plastic	BLACK UL94V-0
NO. DESCRIPTION		MATERIAL	COLOR
			REMARK

SUYIN
CONSTRUCTORS

CUSTOMER COPY TITLE: 2.50mm PITCH SPRING BATTERY SMD TYPE

0	NEW RELEASE	当则鹏	简士鈞	Angle	30 ~	±2°	±0.50	DRAW	当则鹏	07/02/26
DCB-070126-01	PA 07/01/26	张松雷	简士鈞	DESIGN	10 ~ 30	±0.30	±0.30	DESIGN	当则鹏	07/02/26
PO	06/11/03	转武向	江文棠	CHECK	~ 10	±0.15		CHECK	转武向	07/02/26
ECN(DCN) NO.	REV	DATE	DESCRIPTION	CHANGE	APPRO.	GENERAL TOLERANCE UNLESS OTHERWISE NOTED		APPRO.	简士鈞	07/02/26