



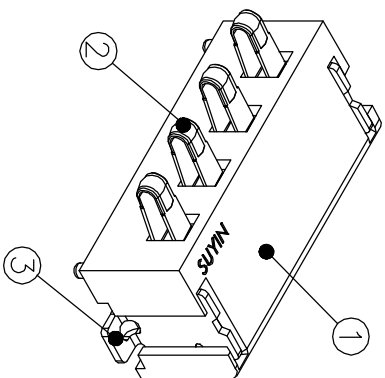
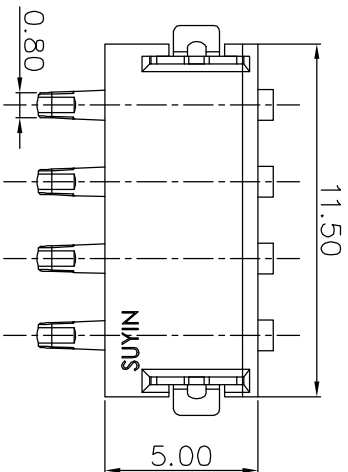
RoHS Compliant

HSP

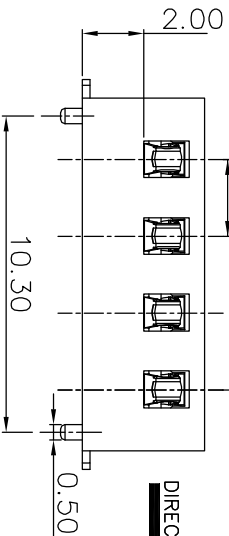
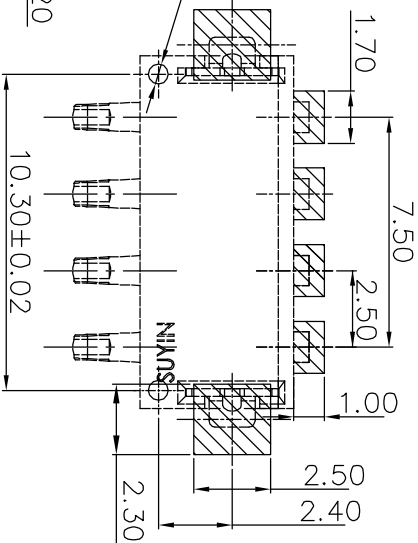
2002/95/EC

Level-1 Controlled Substances are banned

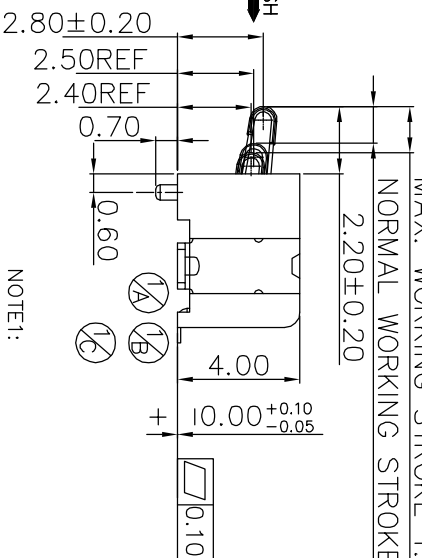
RECOMMENDED P.C.B LAYOUT (COMPONENT SIDE)
P.C.B THICKNESS=0.90mm (TOLERANCE=±0.05)



MAX. WORKING STROKE 1.50
NORMAL WORKING STROKE 1.20

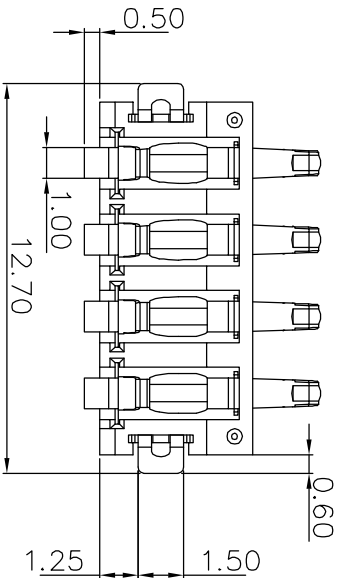


DIRECTION PUSH



NOTE1:
250037MB004G □18ZL

- PLATING
'G1,-05u" GOLD OVER NICKEL.
'G2-GOLD FLASH OVER NICKEL.
'G3,-10u" GOLD OVER NICKEL.
'G4,-15u" GOLD OVER NICKEL.
'G5,-30u" GOLD OVER NICKEL.
F=100g OR MORE PER PIN



EC1BS-150319-05	E	15'/03/19	E1: 取消圖面	NOTE 2 內容
EC1BE-110505-05	D	11'/05/05	D1: 變更包裝結構	
EC1BE-100204-05	C	10'/02/04	C1: 變更塑膠結構	
EC1BE-080619-01	B	08'/06/19	B1: 變更塑膠結構	
ECN(DCN) NO.	REV	DATE	DESCRIPTION	

鄭育斌	李宗尚	General	Angle	DESIGN	鄭育斌	15'/03/19
謝昌林	陳新杰	X±0.25	X±3°	CHECK	周波	15'/03/19
莫少泉	謝日倉	.X±0.20	X±2°	APPRO	李宗尚	15'/03/19
莫少泉	蔡志鴻	.XX±0.15	.XX±1°			
莫少泉		.XXX±0.08				

CUSTOMER COPY		TITLE: 2.50mm PITCH SPRING BATTERY SMT TYPE	
PART NO.	250037MB004GX18ZL	FILE NAME:	D 250037MBXXXXX18ZL
PRODUCT SPEC.	250037MBXXXXX18ZL	SCALE	4:1
NO. DESCRIPTION	3 FORK	UNIT:	mm
MATERIAL	COPPER ALLOY	A4	
COLOR	BLACK	SHEET:	1 of 2
REMARK			

實盈 SUYIN CONNECTOR