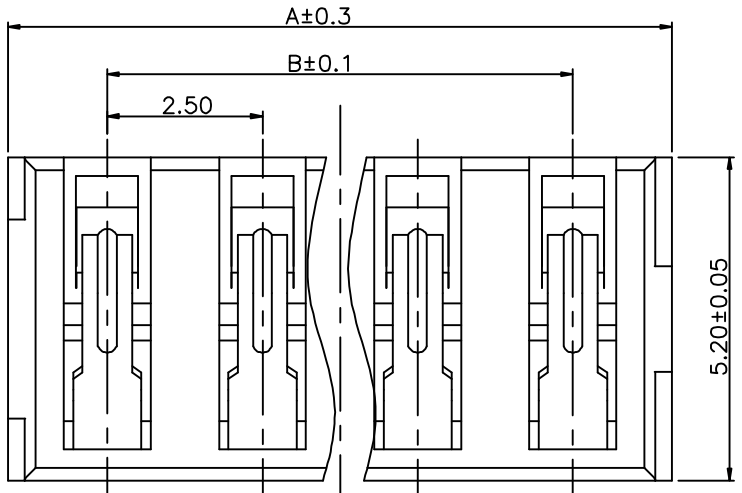
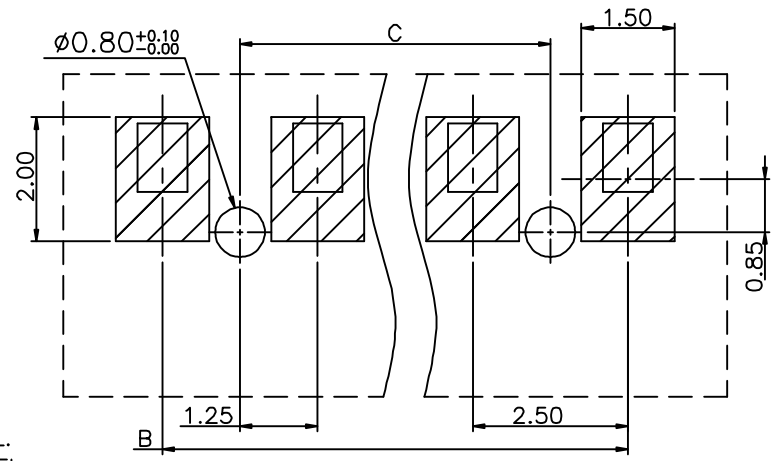


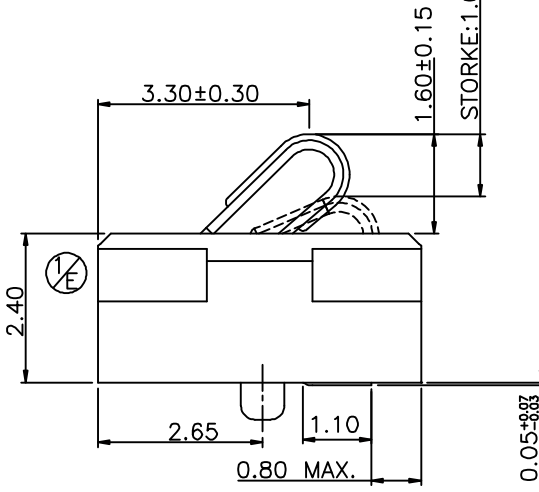
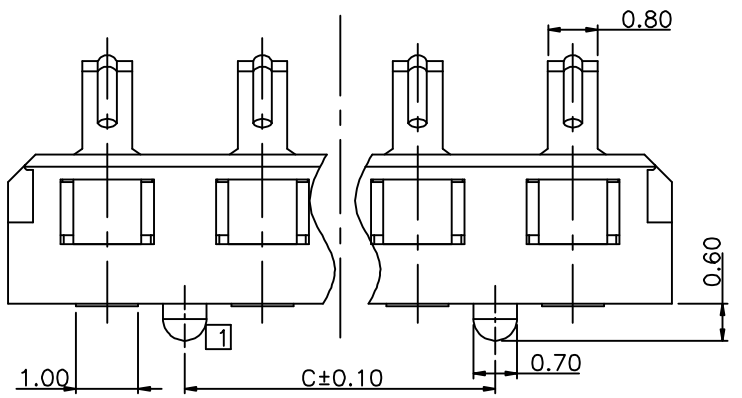
Pb **RoHS Compliant** **HSF**
2002/95/EC
Level-1 Controlled Substances are banned

RECOMMENDED P.C.B. LAYOUT(COMPONENT SIDE)

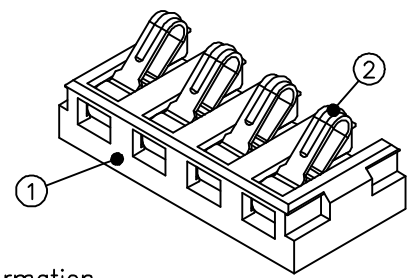
NOTE:
1. Force:50g~200g Per Pin



NOTE:
250040MAXXXG X01ZR
1
1. PLATING
'G1,-05u" GOLD OVER NICKEL.
'G2,-GOLD FLASH OVER NICKEL.
'G3,-10u" GOLD OVER NICKEL.
'G4,-15u" GOLD OVER NICKEL.
'G5,-30u" GOLD OVER NICKEL.



STORKE:1.00mm MAX



Dimension Information

SUYIN P/NO.	DIM. A	DIM. B	DIM. C
250040MA002GX01ZR	5.70	2.50	
250040MA003GX01ZR	8.20	5.00	2.50
250040MA004GX01ZR	10.70	7.50	5.00
250040MA005GX01ZR	13.20	10.00	7.50

NOTE:
* 250040MA002GX01ZR TWO PINS ITEM WITHOUT ILOCATION PEG.
* 250040MA002GX01ZR 兩PIN無需定位柱

NO.	DESCRIPTION	MATERIAL	COLOR	REMARK
3				
2	Terminal	Copper Alloy		Gold water flash
1	HOUSING	High Temp.Plastic	BLACK	UL 94V-0

實盈 **SUYIN**
CONNECTOR

CUSTOMER COPY TITLE:2.5mm Pitch Battery Connector.

PART NO.	250040MAXXXGX01ZR
PRODUCT SPEC.	250040MA
FILE NAME.	DING 250040MAXXXGX01ZR-C
SCALE	8:1 UNIT:mm A4 SHEET: 1 of 5

ECN(DCN) NO.	REV	DATE	DESCRIPTION	CHANGE	APPRO.	GENERAL TOLERANCE UNLESS OTHERWISE NOTED
EC1BS-101210-02	F	10 ⁷ /12/10	F1:新增電鍍別.	單業裕	陳新杰	General X±0.25 Angle X° ±3°
EC1B-070315-03	E	07 ⁷ /03/15	E1:變更塑膠結構 E2:變更CAP結構	單佐忠	簡士鈞	.X±0.20 .X° ±2°
EC1B-070109-02	D	07 ⁷ /01/09	D1:修改包裝示意圖與實物相符	張松雷	簡士鈞	.XX±0.15 .XX° ±1°
EC1B-061227-08	C	06 ⁷ /12/27	C1:版本變更	張松雷	簡士鈞	.XXX±0.08
ECN(DCN) NO.	REV	DATE	DESCRIPTION	CHANGE	APPRO.	GENERAL TOLERANCE UNLESS OTHERWISE NOTED

Original:Design: 鄭家奇 Check: 鄭家奇 Appo: 張志璋 Date: 04/10/16

031114-TY075