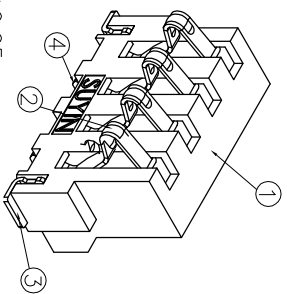
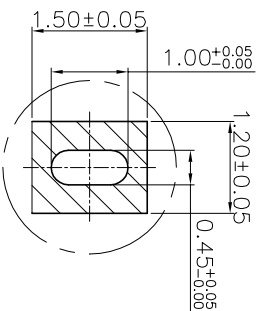
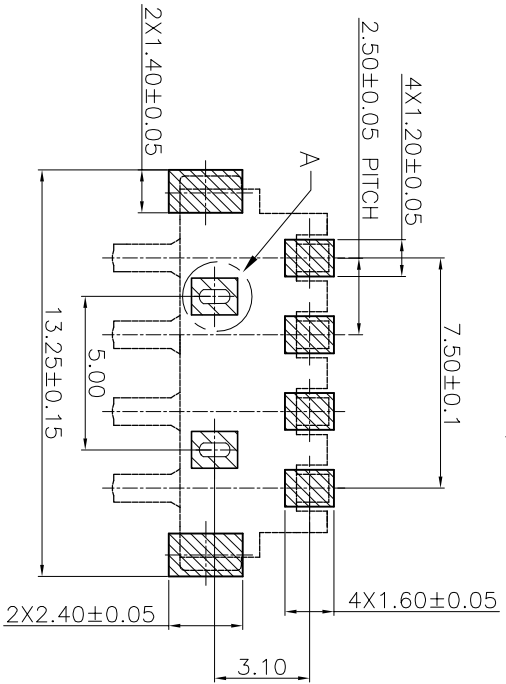
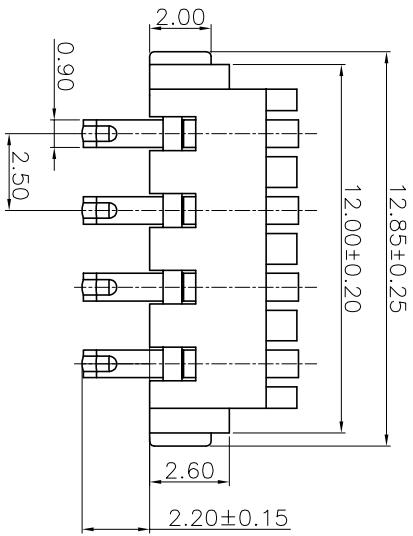




**RoHS Compliant HSF**  
2011/65/EU

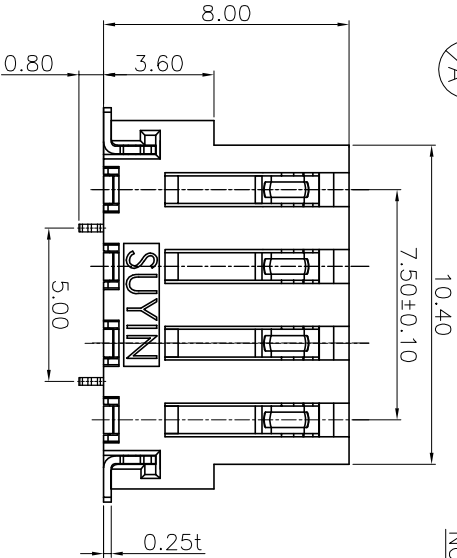
Level-1 Controlled Substances are banned

RECOMMENDED P.C.B. LAYOUT (COMPONENT SIDE)  
P.C.B THICKNESS = 0.8mm (TOLERANCE = ±0.05)

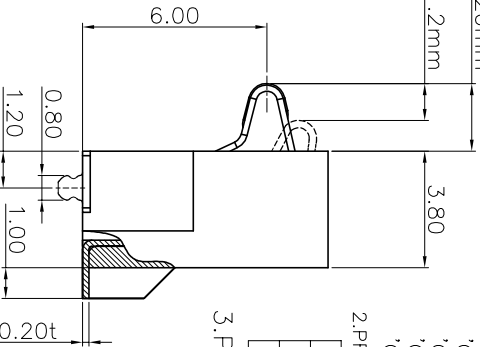


MAX WORKING STROKE 2.20mm

NORMAL WORKING STROKE 1.2mm



DIRECTION PUSH



DETAIL A (10:1)

NOTE:  
250042MB004XX XXZR

1. PLATING

- 'G1, -05u" GOLD OVER NICKEL.
- 'G2, -GOLD FLASH OVER NICKEL.
- 'G3, -10u" GOLD OVER NICKEL.
- 'G4, -15u" GOLD OVER NICKEL.
- 'G5, -30u" GOLD OVER NICKEL.

2. PRODUCT INFORMATION

SUYIN P/NO.	PRODUCT SPEC.
250042MB004GX23ZR	250042MB
250042MB004GX32ZR	250042MB004XXX32XX

3. PUSH FORCE 51g MIN. ~140g MAX.PER PIN



3	FORK	METAL	TIN PLATED
2	TERMINAL	COPPER ALLOY	TIN PLATED
1	PLASTIC	COPPER ALLOY	SELECTIVE GOLD
	NO. DESCRIPTION	MATERIAL	COLOR
		PLASTIC	BLACK
		UL 94V-0	REMARK

**SUYIN**  
CONNECTOR

CUSTOMER TITLE: 250 PITCH SPRING BATTERY CONNECTOR

EC1BS-180817-01	C	18'/08/17	C1:新標準:250042MB004GX32ZR	李志高	程夢麗	General	Angle	DESIGN	李志高	18'/08/17
EC1BS-180730-02	B	18'/07/30	B1:改標6.00尺寸標註為2.20±0.15 B2:增加表面層A1	張志靈	程夢麗	X±0.25	X'±3°			
EC1BE-081104-14	A	08'/11/04	A1:修改圖面與實物相符.	程如意	蔡志鴻	X±0.20	X'±2°	CHECK	何平	18'/08/17
ECN(DCN) NO.	REV	DATE	DESCRIPTION	CHANGE	APPRO.	.XXX±0.08	XX'±1°	APPRO.	程夢麗	18'/08/17

FILE NAME:	D	250042MB004GXXXXZR-23C
SCALE	4:1	UNIT:mm
		A4 SHEET: 1 of 2