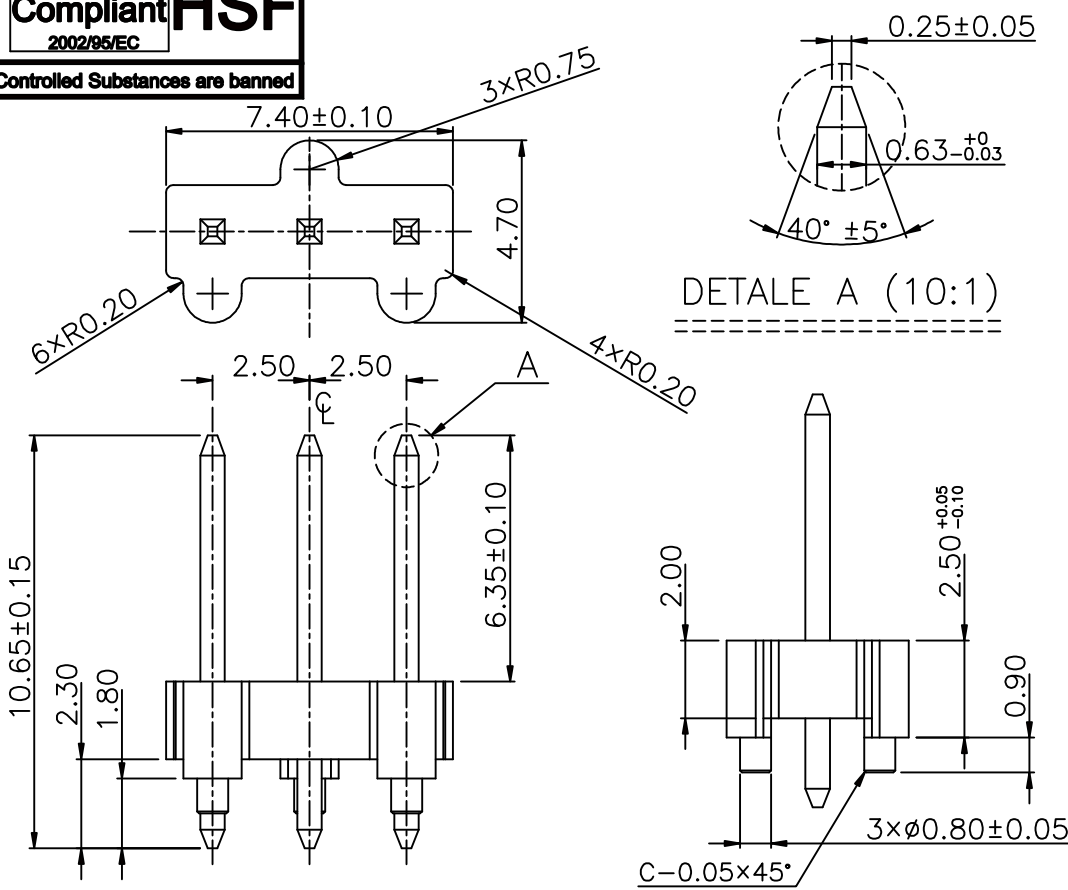


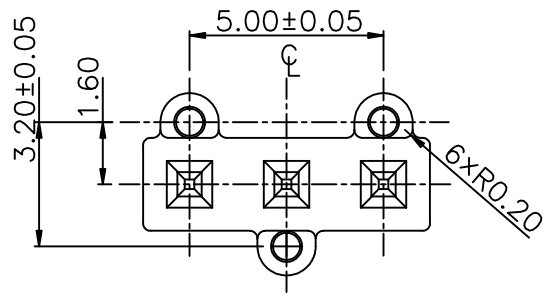
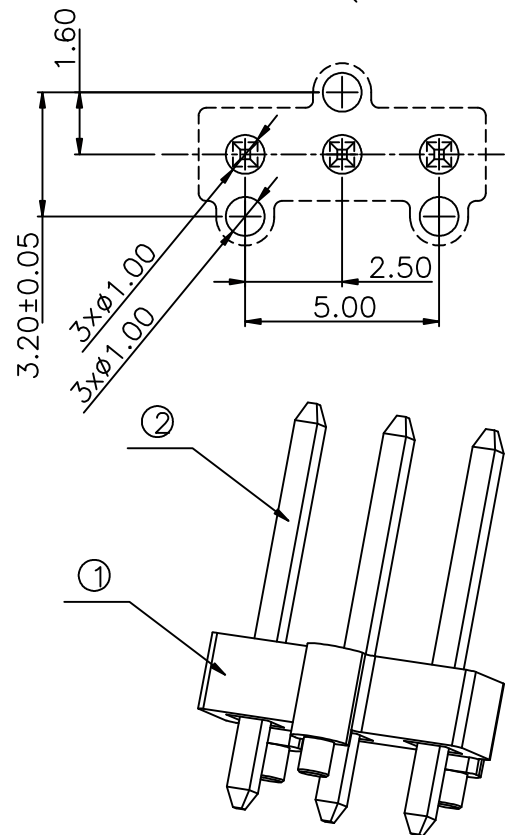
Pb RoHS Compliant 2002/95/EC HSF
 Process Capable

Level-1 Controlled Substances are banned



DETALE A (10:1)

Recommended P.C.B Layout (Component Side)
 P.C.B Thickness=1.20mm(Tolerance=±0.05)



Note:
 1.Plating: GA-1u" GOLD over 30u" Nickel;
 2.Life cycles: 10 times;
 3.Working temp: -25° C to +100° C;
 4.Package: Reel+cap;
 5.Terminal material: C-5191H (CuSn6Y-460);
 6.Isolation material: Nylon 9T, Black, UL94V-0;
 7.This product, is RoHS compliant and lead-free process capable

3				
2	TERMINAL	Copper Alloy		GOLD PLATED OVER NICKEL
1	HOUSING	High Temp.Plastic	BLACK	UL-94V
NO.	DESCRIPTION	MATERIAL	COLOR	REMARK

實盈 **SUYIN**
 CONNECTOR

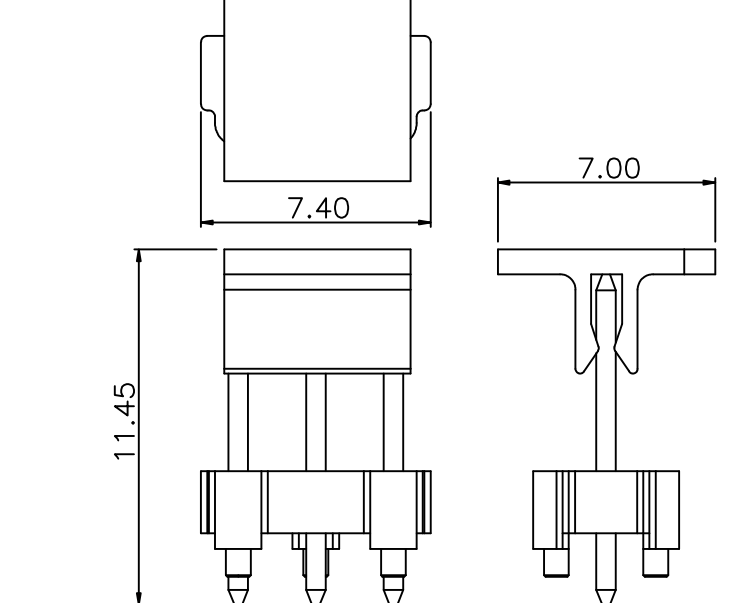
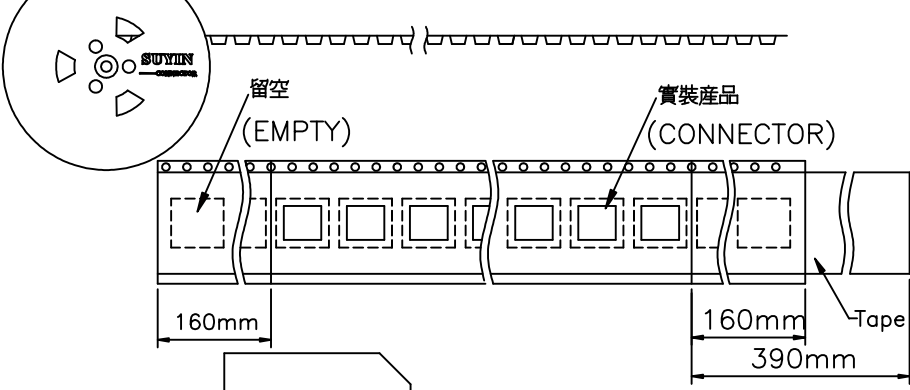
CUSTOMER COPY	TITLE: 2.5mm Pitch Pin header			
PART NO.	250080MS003GA00ZR			
PRODUCT SPEC.	250080MS			
FILE NAME.	DING	250080MS003GA00ZR-C		
SCALE	5:1	UNIT:mm	A4	SHEET:1 of 2

EC1BE-120319-03	B	12'/03/19	B1:變更包材結構	楊秀杰	鄭焯耀	General X±0.25	Angle X° ±3'	DESIGN	楊秀杰	12'/03/19
EC1B-060828-06	A	06'/08/28	A1:變更圖框及並並業務圖及包裝示意圖	田方四	葉銘良	.X±0.20	.X° ±2'	CHECK	王元幣	12'/03/19
	O	06'/05/22	NEW	劉娜	葉銘良	.XX±0.15	.XX° ±1'			
ECN(DCN) NO.	REV	DATE	DESCRIPTION	CHANGE	APPRO.	.XXX±0.08		APPRO.	鄭焯耀	12'/03/19
						GENERAL TOLERANCE UNLESS OTHERWISE NOTED				



Level-1 Controlled Substances are banned

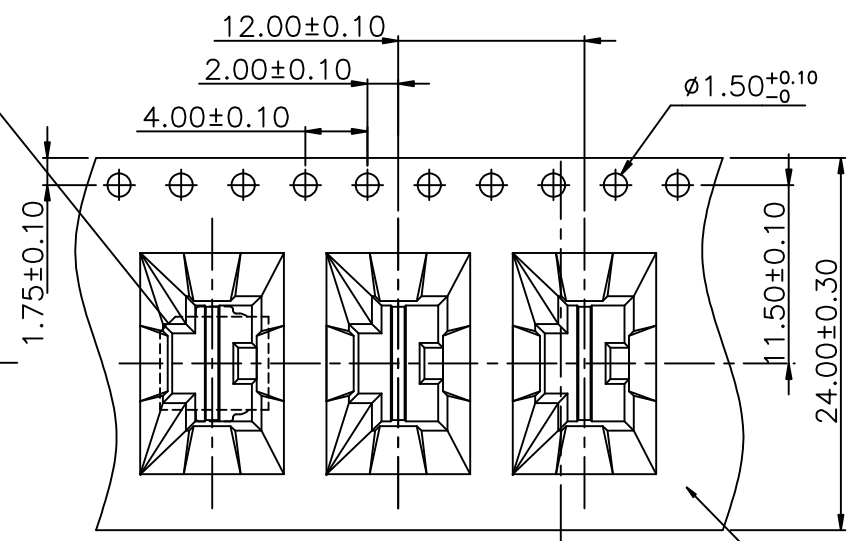
收料方向 GATHER MATERIAL DIRECTION
 客戶放料方向 INPUT MATERIAL DIRECTION



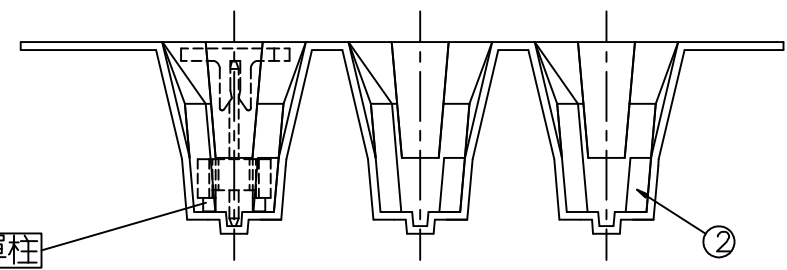
SCALE(4:1)

斜角

收料方向 GATHER MATERIAL DIRECTION
 客戶放料方向 INPUT MATERIAL DIRECTION



單柱



PACKAGE INFORMATION

PART NUMBER	Q'TY PER REEL	REEL PER BOX	Q'TY PER BOX
250080MS003GA00ZR	470 PCS	13 R	6110 PCS

NOTE: ALL DIMENSIONS TOLRERANCE ARE:
 1. ±0.25mm UNLESS OTHERWISE NOTED.
 2. COMPONENT LOAD BY 13" REEL.
 3. 包裝所用外箱為:OC0137.

3				
2	PRODUCT			250080MS003GA00ZR
1	REEL	PS	Black	IPR0716-003-00
NO.	DESCRIPTION	MATERIAL	COLOR	REMARK

實盈 **SUYIN**
CONNECTOR

CUSTOMER COPY	TITLE: 2.5mm Pitch Pin header			
PART NO.	250080MS003GA00ZR			
PRODUCT SPEC.	250080MS			
FILE NAME.	D	250080MS003GA00ZR-C		
SCALE	2:1	UNIT:mm	A4	SHEET: 2 of 2

ECN(DCN) NO.	REV	DATE	DESCRIPTION	CHANGE	APPRO.	General	Angle	DESIGN	DATE
EC1BE-120319-03	B	12'/03/19	B1:變更包材結構	鄭雲龍	鄭焯耀	X±0.25	X° ±3'	DESIGN	鄭雲龍 12'/03/19
EC1B-060828-06	A	06'/08/28	A1:變更圖框及合並業務圖及包裝示意圖	田方四	葉銘良	.X±0.20	.X° ±2'	CHECK	戴長青 12'/03/19
	O	06'/05/22	NEW	劉娜娜	葉銘良	.XX±0.15	.XX° ±1'	APPRO.	鄭焯耀 12'/03/19
						.XXX±0.08			