



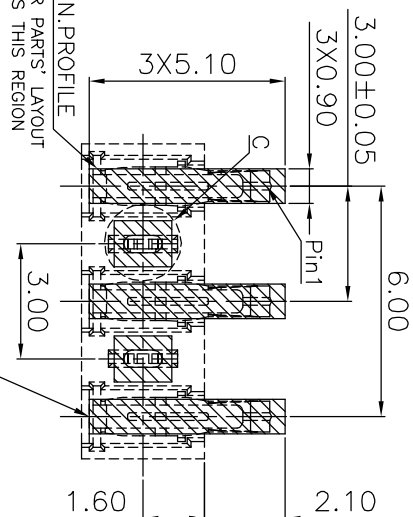
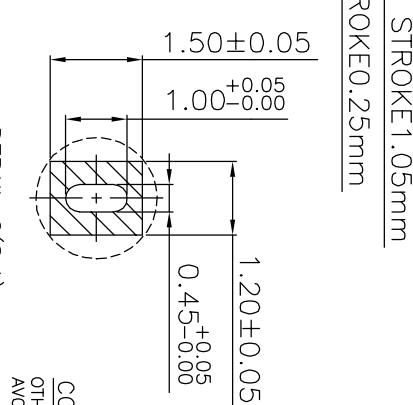
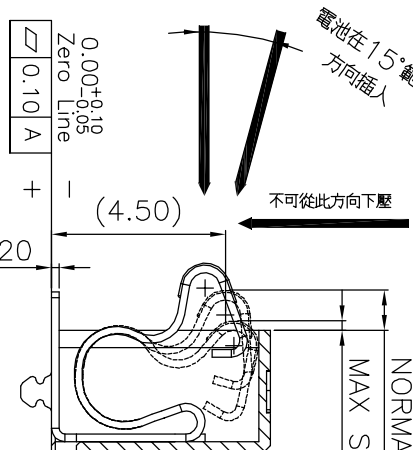
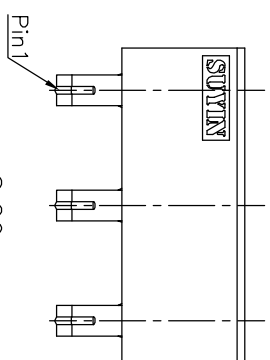
RoHS Compliant

HSE

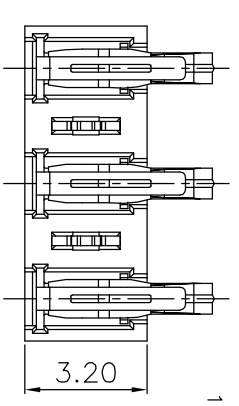
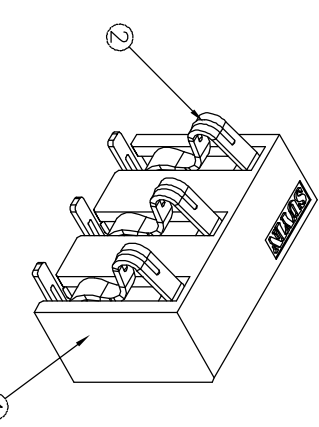
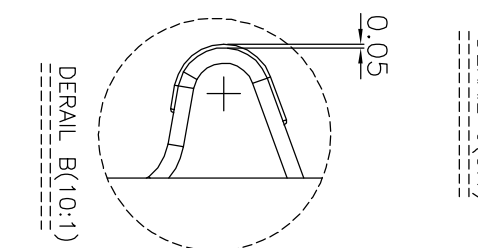
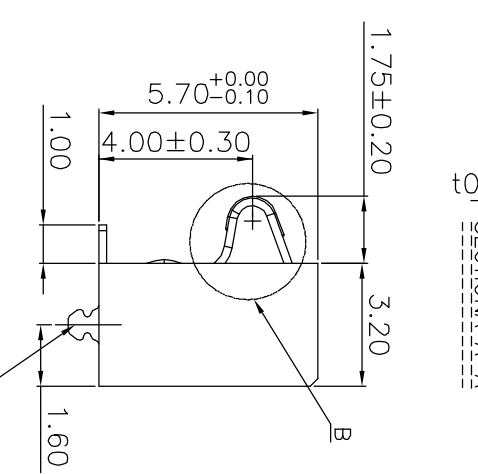
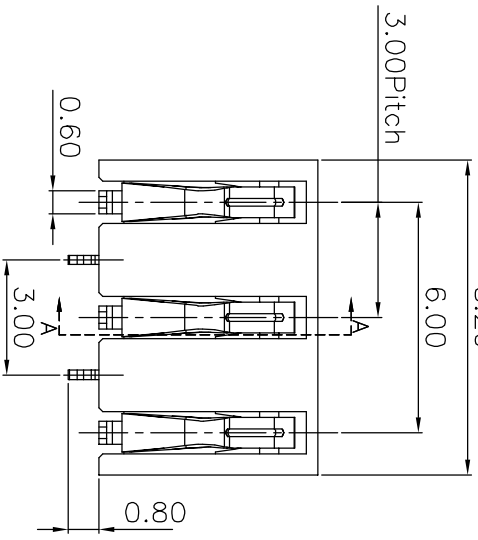
Level-1 Controlled Substances are banned

電池在15°範圍
方向插入

不可從此方向下壓



RECOMMENDED P.C.B LAYOUT(TOP SIDE)
P.C.B THICKNESS = 1.20mm (TOLERANCE=±0.05)



1. P/N:300006MB003XX06ZL

2. PUSH FORCE
80g OR MORE PER PIN STROKE=0.70mm

TERMINAL PLATED:

- G1,-05u" GOLD OVER NICKEL.
- G2,-GOLD FLASH OVER NICKEL.
- G3,-10u" GOLD OVER NICKEL.
- G4,-15u" GOLD OVER NICKEL.
- G5,-30u" GOLD OVER NICKEL.

S1-05u"MIN.GOLD IN CONTACT AREA/
100u"MIN.TIN IN SOLDER AREA.
S2- GOLD FLASH IN CONTACT./
100u"MIN.TIN IN SOLDER AREA.
S3-10u"MIN.GOLD IN CONTACT AREA/
100u"MIN.TIN IN SOLDER AREA.
S4-15u"MIN.GOLD IN CONTACT AREA/
100u"MIN.TIN IN SOLDER AREA.
S5-30u"MIN.GOLD IN CONTACT AREA/
100u"MIN.TIN IN SOLDER AREA.

3	FORK	METAL	TIN PLATED
2	TERMINAL	COPPER ALLOY	GOLD PLATED
1	HOUSING	HIGH TEMP PLASTIC	BLACK UL-94V
NO.1 DESCRIPTION MATERIAL COLOR REMARK			

SUYIN connectors

CUSTOMER TITLE: 3.00mm pitch SPRING BATTERY SMT TYPE CONN

ECIBE-080811-02	B	08'/08/11	B1:修改圖面包裝數量與實際包裝數量相符	廖奎	蔡志鴻	Angle	±2°	DRAW	廖奎	08'/08/11
ECIBE-080630-01	A	08'/06/30	A1:新增部品電鍍系列	廖奎	蔡志鴻	30	±0.50	DESIGN	廖奎	08'/08/11
	0	07'/01/26	NEW RELEASE	黃小春	簡士鈞	10	±0.30	CHECK	蔡武向	08'/08/11
	P0	06'/08/19	NEW	黃小春	葉銘良	~ 10	±0.15	CHECK	蔡武向	08'/08/11
ECN(DCN) NO.	REV	DATE	DESCRIPTION	CHANGE	APPRO.	GENERAL TOLERANCE UNLESS OTHERWISE NOTED		APPRO.	蔡志鴻	08'/08/11